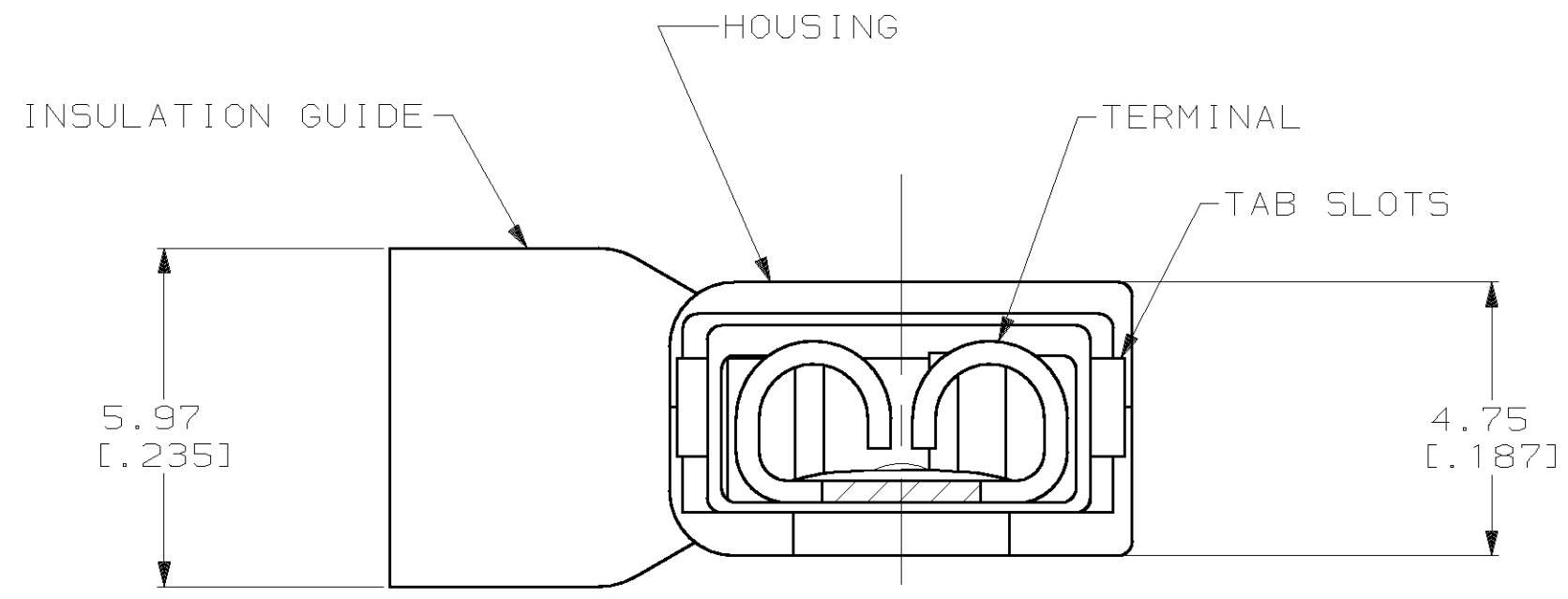
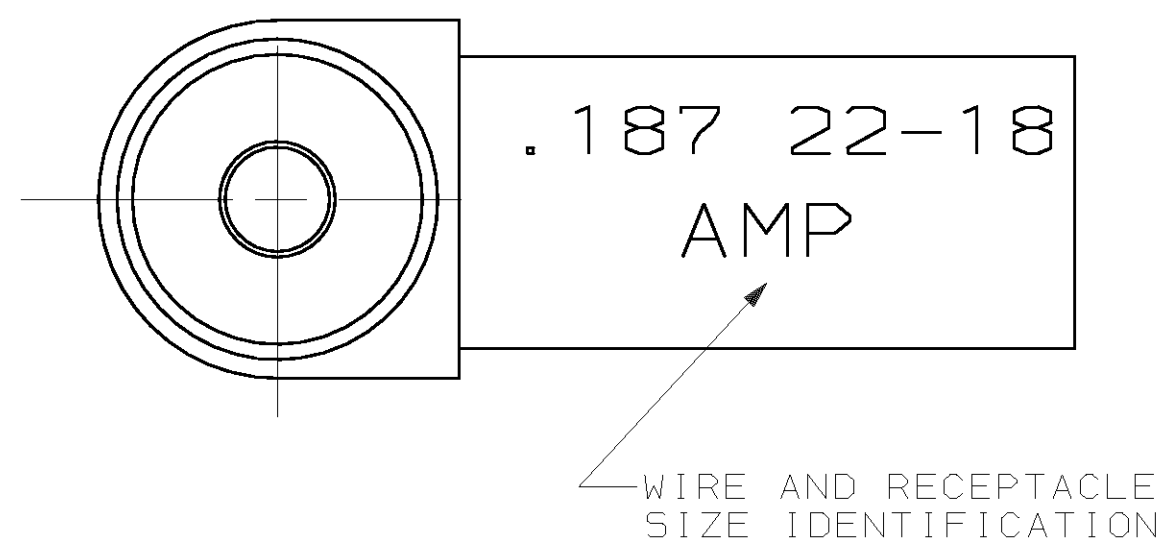
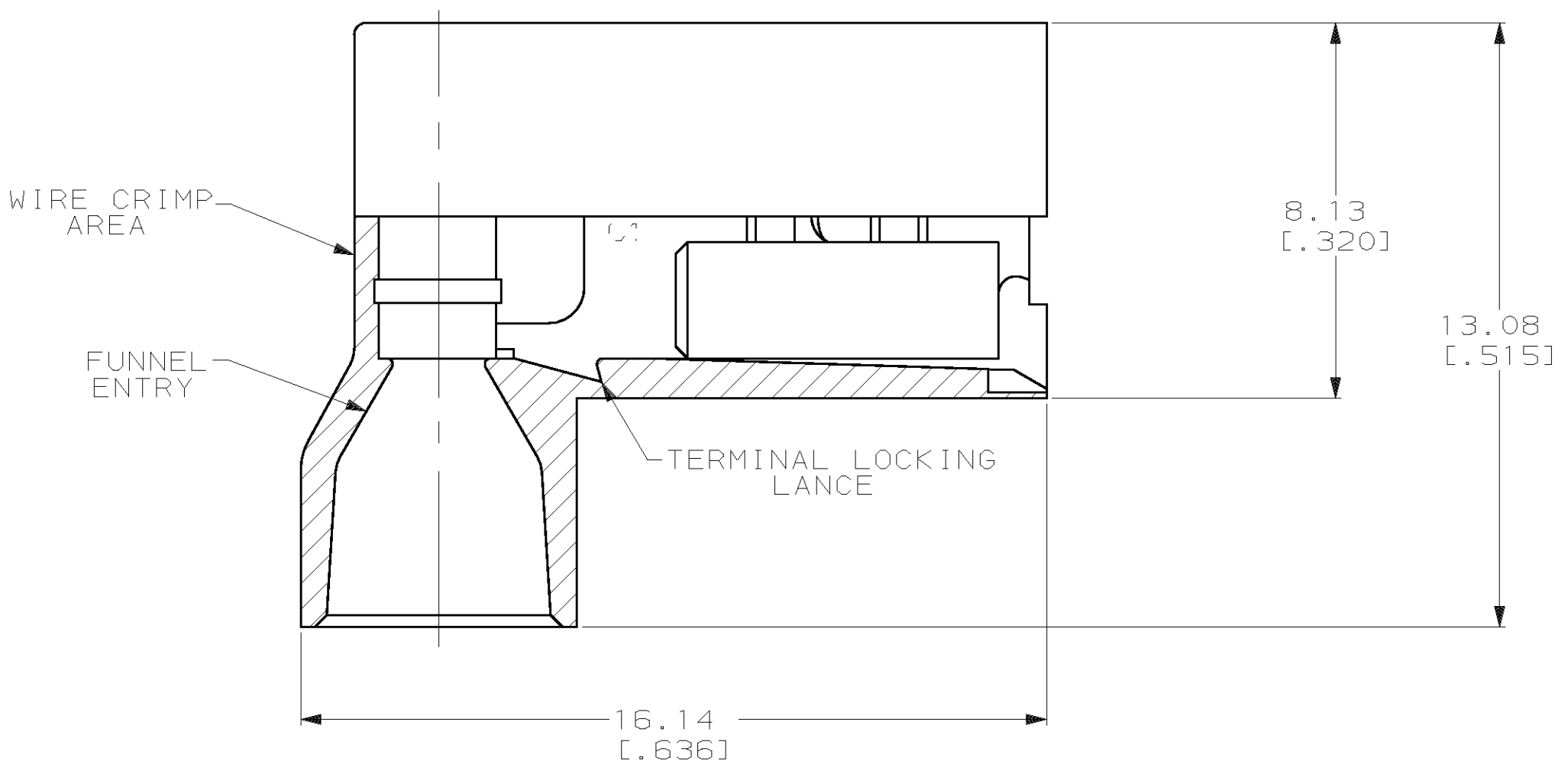


THIS DRAWING IS UNPUBLISHED. RELEASED FOR PUBLICATION
 © COPYRIGHT 19 BY AMP INCORPORATED. ALL INTERNATIONAL RIGHTS RESERVED.

| LOC | | DIST | | ZONE | | LTR | | REVISIONS | | DATE | APPD |
|-----|----|------|---|------|--|-----|--|----------------------|--------|-------|------|
| AF | 50 | P | F | | | G | | REV PER 0G1A-0149-99 | 3JUN99 | JR/JH | |

- 1 FITS 0.81±0.025 X 4.75 [.032±.001 X .187] TAB
- 2 WIRE SIZE: 0.3-0.9mm² [22-18 AWG], STRANDED ONLY. STRIP LENGTH 7.14 [.281]
- 3 INSULATION SIZE: 4.19 [.165] MAX DIA.
- 4 SUPPLIED AS LOOSE PIECE



| HOUSING | MATERIAL | COLOR | MATERIAL | FINISH | PART NO |
|----------|----------------|-----------------|------------------------|-------------------------------|------------|
| OBSOLETE | TYPE 6/6 NYLON | RED TRANSLUCENT | 0.41 [.016] #4H PH BRZ | 0.002032 [.000080] MIN TIN PL | 2-520337-4 |
| | TYPE 6/6 NYLON | RED TRANSLUCENT | 0.41 [.016] #4H BRASS | 0.002032 [.000080] MIN TIN PL | 2-520337-2 |

| | | | |
|--|---|--|----------------------|
| DO NOT SCALE PRINT. UNLESS SPECIFIED DIMENSIONS IN mm [INCHES] TOLERANCES ON : 2 PLC DEC ± 0.38 [.015] 3 PLC DEC ± - ANGLES ± - | DR 8/10/90 P FORTNEY CHK 8/23/90 MS FEHER APPD 8/24/90 D BRATINA APPD 8/24/90 R KUZO | AMP Incorporated Harrisburg, PA 17105-3608 | |
| MATERIAL SEE TABLE | PRODUCT SPEC 108-2043 | NAME RECEPTACLE ASSEMBLY, ULTRA-FAST FLAG, 4.75 [.187] SERIES, LOOSE PIECE | |
| FINISH SEE TABLE | APPLICATION SPEC 114-2123 | SIZE C | CAGE CODE 00779 |
| | WEIGHT - | SCALE 8:1 | DRAWING NO 520337 |
| | | | SHEET 1 OF 1 |

METRIC